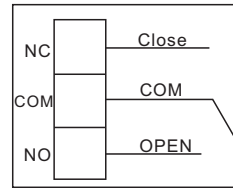


BOT-313W SERIES BOILER THERMOSTAT



V. Wiring Diagram



NC: Normally Closed Interface
(Boiler or Loading) ;

COM: Common Interface
(Boiler or external power input) ;

NO: Normally Open Interface
(Boiler or Loading) ;

Att: Installation wires should be changed to be 1.5-2.5mm² hard line. Please rightly connect the wires strictly according to the connect diagram. Don't make water, mud and other debris into the thermostat, otherwise it will damage the thermostat.

VI. Operation Instruction

Time Setting

Press , the time area will display Minute, Hour and Week, then press or to modify time.

Programmable Period Temperature Setting

First step, long press M, screen display *Loop*(Cycling Control), screen displays 12345 (From Monday to Friday); Press one time, it displays 123456 (From Monday to Saturday); Press two times, it displays 1234567 (From Monday to Sunday);

Second step, time and temperature setting in every period. When screen display 12345 or 123456 or 1234567, press M to enter temperature setting. Press to enter time setting. To modify and save through or .

Att: When auto-control, if user needs to reset the temperature, it can be changed to temporary manual control. Temporary manual control means when thermostat is in auto-control mode(program mode), user press or to modify temperature setting, thermostat now is in temporary manual control state. When next periods comes, thermostat will automatically return to acquiescent period program control mode.

If you want to make temporary adjustment in any period.

Press M then will flash. When finish the setting, all will confirm automatically.

Press M to switch operation between manual mode and programmable mode.

Att: While in automatic control, will disappear, the temperature must be reset during automatic control, press or to adjust. (It is a temporary manual mode and the next time period will automatically run to the automatic mode.

Period Temperature Setting

First press M, then press to change to time options, user can modify time in the period.

Default Program Data

	Period	Icon	Default Time	Default Temperature
Workday	1		06:00	20°C
	2		08:00	15°C
	3		11:30	15°C
	4		12:30	15°C
	5		17:30	22°C
	6		22:00	15°C
Weekends	1		08:00	22°C
	2		23:00	15°C

Att:

1. The default temperature values of 3 and 4 period in workday is same with 2 period. If user need, please change this default temperature.

2. Setting temperature is 00, it means this period is power off.

I. Product Summary:

BOT-313W series boiler thermostats have LCD digital display screen, and it is developed according to market's requirements. This series thermostats are easy to operate, and with complete functions. It can be used to control boilers, motorized ball valves, motorized valves, electric valves, solenoid valves, etc.

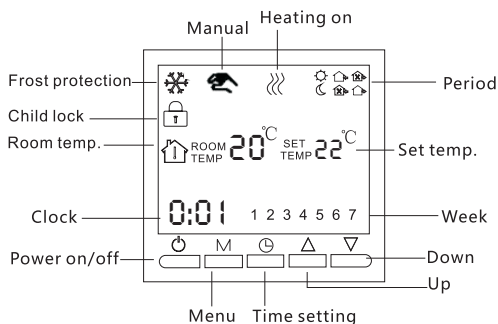
II. Technical Parameter:

Working Voltage	1.5Vx2(Two sections of 1.5V 5 battery)
Current Load	3A
Temperature Control Accuracy	±1°C
Setting Temperature Range	5-99°C (factory default 5-35°C)
Limiting Temperature Range	5-99°C
Consumption	<150uW
Temperature Sensor	NTC

III. Main Button Instruction

- : ON/OFF Switch;
- M** :Mode Button. Switch between Manual mode and Programmable mode.
Long press to enter into period programming.
- :Time Set. Hour, minute and week setting;
- :Up Button. To increase temperature.
- :Down Button. To reduce temperature.

IV. User Interface Explanation



:Manual control mode.

:Heating on.

:First Period. Wake up in the morning.

:Second Period. Out of home in the morning.

:Third Period. Go home in the afternoon.

:Forth Period. Out of home in the afternoon.

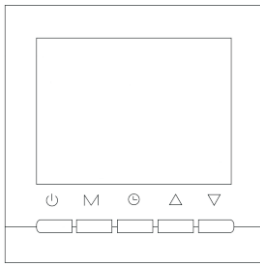
:Fifth Period. Go home in the evening.

:Sixth Period. Sleep in the evening.

:Anti-freeze function.

:Keypad Lock Set the advanced setting LOC to 01 or 02, press more than 5 seconds to temporarily lock or unlock.

VII. Advanced Setting



Firstly, Press down button

Then, press power button

After entering advanced setting, press **M** to choose next parameter changing.

In the state of power-off, long press and hold ∇ then press ⏻ into advanced setting mode. Then press **M** to set relative item.

Display Code	Function	Setting And Options	Factory default
dIF	Limit temp. return difference	0.5-4.5°C	1°C
SVH	Set temp. upper Limit	5-99°C	35°C
SVL	Set temp. low limit	5-99°C	5°C
AdJ	Measure temp.	-5-5°C	0°C
FRE	Anti-frozen	00 : Close anti-frozen 01 : Open anti-frozen	00
LOC	Button lock function	00: Unlock 01: except power switch, all buttons are locked 02: All buttons are locked	00
FAC	Factory setting	08 : Just display 00 : Return to factory setting	08

VIII. Installation

1. See figure 1, mounted on the wall with a pitch of 86mm screw expansion sleeve.



Figure 1

2. See figure 2, open the surface shell and the bottom shell, according to the alignment direction, route the desired wire through the back of the case to the wire slot, and according to the actual situation to set aside about 20CM length.

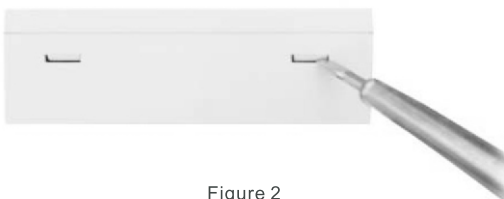


Figure 2

3. See figure 3, fix the bottom shell on the wall, terminal fixed wire, cover the bottom shell with the surface shell.



Figure 3

X. ATT:

Thank you for buying this product!

Please read this manual for complete instructions on installing and operating your thermostat. If you require further assistance, please feel free to contact us.

In the box you will find:

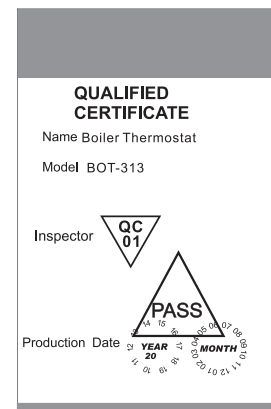
Model	BOT-313W.BL	BOT-313W.WH
Thermostat	✓	✓
User Manual	✓	✓
Screws	✓	✓
Dryer		

Our Service:

We offer the warranty of 24 months from the sales day.

During the warranty, if it is belong to the quality issue, we will fix or replace them for you by free after test them.

If it is not quality problem or beyond the warranty time, we will charge for the after-sales service.



Warning:



The symbol means the unit is being installed, it may cause electrical shock hazard during maintaining, so please make sure it is operated by the professional technical worker.

