

IPS Colorful LCD Screen Smart Thermostat

- ✓ Quick configuration of Wi-Fi connection via BLE Technology super convenient
- ✓ Programmable device, multiple periods allowed to set per day.
- ✓ 2.8 inches ultra-large colorful LCD screen, delicate visual effect.
- ✓ The device can be controlled by voice through Amazon Alexa and Google Assistant

Parameter

Supply voltage	AC100~240V; 50/60Hz
Power consumption	Wi-Fi 3W Max
Temp. setting range	5~95°C (41~203°F)
Floor limited range	20~90°C (68~194°F)
On/off deviation	0.5~10°C (1~10°F), Factory setting 1°C
Ambient temperature	-5~50°C (68~122°F)
Protection level	IP20
Shell material	Anti-Flammable PC



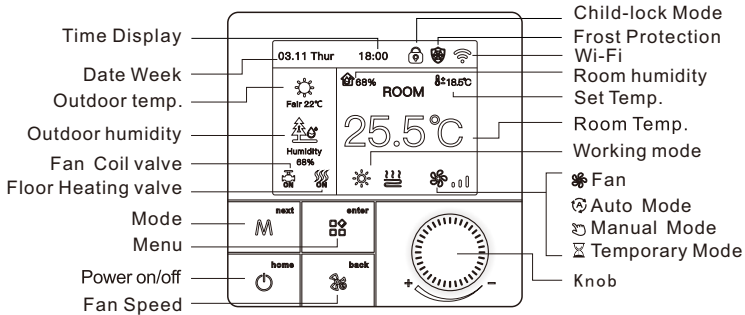
Version:TCR8 1.1(12/2022)

Product Overview

This series of thermostat has Floor Heating, Fan Coil, and Integrated version, meeting the requirements under different scenarios.

Version	System mode	Model	Application
Floor heating	Floor heating	EP	Built-in & floor sensor, floor limit sensor + Weekly programming
		WP	A NC/NO dual-output + Weekly programming
		WPB	A NC/NO dual-output + Weekly programming+ Potential-free output
Fan Coil	Heating/Cooling/Ventilation	AC2	Timer task + 2-pipe system
		AC2-485	Timer task + 2-pipe system + Timer task + Potential-free output + 485Modbus (optional) + Room card (optional)
		AC4	Timer task + 4-pipe system + Timer task + Potential-free output + 485Modbus (optional) + Room card (optional)
Integrated	Fan-Coil with Floor-Heating air condition system	AWY	Floor heating & fan coil, weekly programming + Potential-free output + Timer task + 485Modbus (optional) + Room card (optional)

Display Symbols



Temperature Control Mode(Floor Heating/Integrated)

Auto Mode

Weekly-circled programme, up to 6 heating events can be set per day. Heating events, workdays and temperature can be separately customized based on personal routines.

Manual Mode

Thermostat works based on manually-set temperature, disconnecting from auto mode.

Temporary Mode

Thermostat works based on manually-set temperature temporarily and then shifts back to auto mode till next event.

User Operation

Power on/off: Press "⏻" for 3 seconds to turn on/off the thermostat.

Temp setting: Rotate handwheel "🌀" to change setting temperature by 0.5°C.

System mode: Press "M" shortly to switch cooling/heating/ventilation. (Fan Coil)
Press "M" shortly to switch cooling/heating/ventilation/floor heating/floor heating + heating. (Integrated)

Temp control mode: Press "M" shortly to switch manual/auto mode. (Floor heating)

Press "🌀" shortly to switch manual/auto mode. (Integrated, floor heating)

Enter menu: Press "🔑" enter the menu interface.

Child-lock: Press "M" + "🔑" for 3 seconds to activate child-lock.

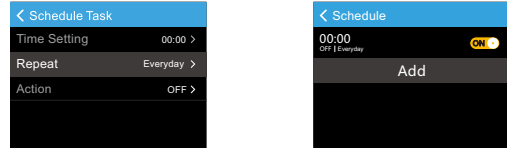
Wi-Fi setting

Press "🔑" to enter the menu page. Turn the knob "🌀", choose "Wi-Fi setting", and then choose "Bluetooth Mode", press "🔑" and confirm. The device enters the distribution network state.



Timer Task Setting (Fan Coil/Integrated)

Press "🔑" to enter the menu page. Turn the knob "🌀", choose "Auto Mode", and then choose "Schedule". Set the parameters by turning the knob, then press "Home" to save and exit to home page.



Advanced Setting (Usually for Professional Technicians)

Under power-on status, long press menu button "🔑" to enter the menu page, choose Engineer Mode, enter the advanced setting page. After setting the parameters, press menu button "🔑" to save and exit.

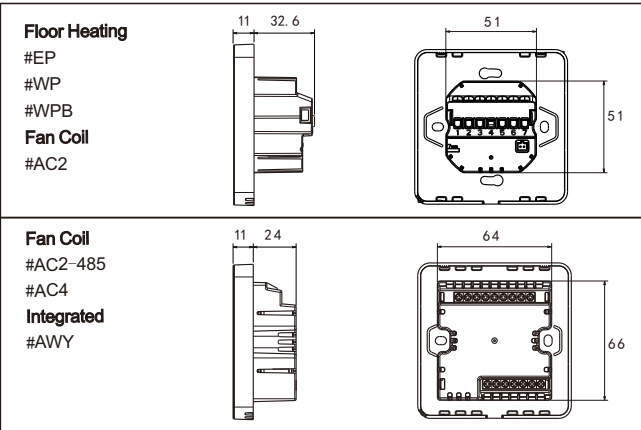
function list	Handwheel "🌀"	Default Value	System Mode						
			Integrated AWY	Fan Coil AC2-485	AC4	AC2	EP	WP	WPB
ModBus Address	Adjustment range 0~250	0	✓	✓	✓	✗	✓	✓	✓
Sensor Calibration	-9.9~9.9°C(-9.9~9.9°F)	0°C	✓	✓	✓	✓	✓	✓	✓
Temp. Dif.	0.5~10°C(1~10°F)	1°C	✓	✓	✓	✓	✓	✓	✓
Max Setting Value	5~95°C (41~203°F)	50°C	✓	✓	✓	✓	✓	✓	✓
Min Setting Value	5~47°C (41~117°F)	5°C	✓	✓	✓	✓	✓	✓	✓
Anti-Freeze Protection	ON/OFF	OFF	✓	✓	✓	✓	✓	✓	✓
Temperature Unit	°C/°F	°C	✓	✓	✓	✓	✓	✓	✓
Sensor Mode	Built-in sensor Floor sensor Built-in Control & Floor Limitation	IN	✓	✗	✗	✗	✓	✓	✓
Floor limited Value	20~90°C (68~194°F)	35°C	✓	✗	✗	✗	✓	✓	✓
Weekday Mode	Monday to Friday Monday to Saturday Monday to Sunday	2-day	✓	✗	✗	✗	✓	✓	✓
Fan control settings	00: Fan speed controllable 01: Fan speed uncontrollable	00	✓	✓	✓	✓	✗	✗	✗
Linkage Time Delay	0~5min	0min	✓	✗	✗	✗	✓	✓	✓
Child-lock Type	None Lock All All but power	None	✓	✓	✓	✓	✓	✓	✓
Boot Type	Function Off Function On Function Saved	Last	✓	✓	✓	✓	✓	✓	✓
Air-Condition Mode	All/Cold Only	All	✓	✓	✓	✓	✗	✗	✗
Temp Control	Manual/Auto	Manual	✓	✗	✗	✗	✗	✗	✗
Reset All Settings	Yes/No	/	✓	✓	✓	✓	✓	✓	✓

Auto-mode Setting (Fan Coil/ Integrated)

When device is off, press “” to enter menu page, choose “period setting” to set parameters, then press “” to save and exit.

Events	Time		Temperature	
	Default value	Modify	Default value	Modify
Workdays	Sunrise	06:00	20°C	Rotate handwheel
	Morning	08:00	15°C	
	Nooning	11:30	15°C	
	Afternoon	12:30	15°C	
	Evening	17:00	22°C	
	Night	22:00	15°C	
Weekends	Sunrise	08:00	20°C	Rotate handwheel
	Night	22:00	15°C	

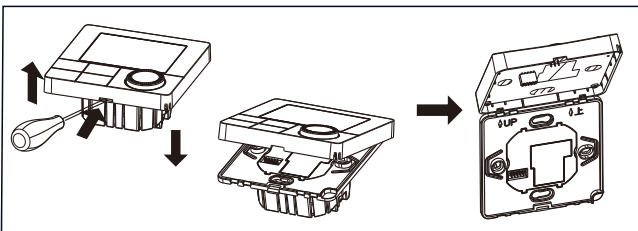
Dimensions (Unit: mm)



Mounting Steps

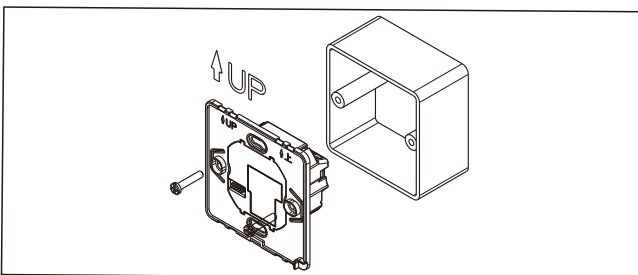
The thermostat adopt pre-guide and limited snap-fit design. It is easy to mount.

1) Release front cover by inserting a head screw-driver into bottom crack.

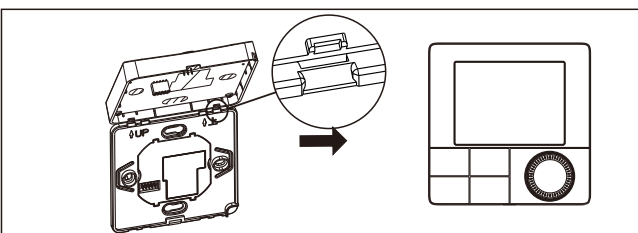


2) Insert the wires and then fix these wires with screws. Suggested wire-stripping length is 7-9mm.

3) Mount backing plate into wall-cassette, put screws and then fix thermostat. Make sure that the thermostat is fixed without deformation. Suggested torque is 0.2~0.4N.m (2.0~4. 1kgf.cm).



4) Re-mount the front cover via snap-fit connection.



Sensor failure

Please select work mode of sensors correctly. When it shows **Er0/Er1** error, thermostat will stay power-off till the error is eliminated. **Er0**: built-in sensor is short-circuited or disconnected. **Er1**: floor sensor is short-circuited or disconnected.

Connecting Diagram

The thermostat operates in full capacity in areas with the altitude of less than 2500 above sea level. Power rating of external load should be less than or equal to 80% rated power of the thermostat in areas with altitude of 2500m to 4200m.

