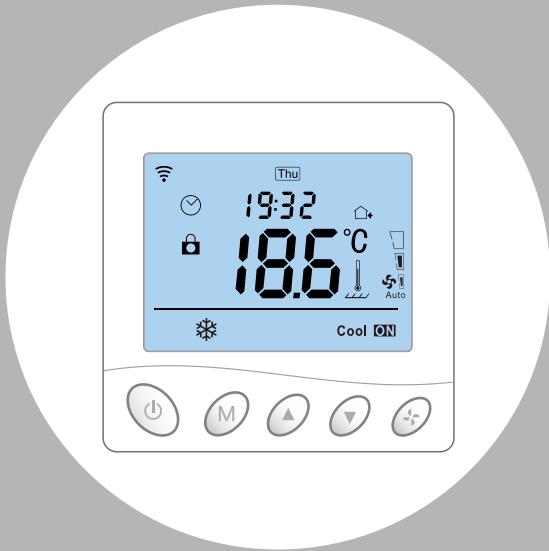


Large LCD screen smart thermostat



Version:TR33 1.6(12/2023)

- ✓ Customized exclusive temperature plan - up to 6 events allowed to set per day
- ✓ Sail shape design-delicate and elegant
- ✓ Large LCD screen-better user experience
- ✓ 485 modbus and room card linkage - customized equipment (optional)

Parameter

Supply voltage	AC100~240V; 50/60Hz
Power consumption	1W Max (Wi-Fi 3W Max)
Temp. setting range	5~95°C (41~99°F)
Floor limited range	20~90°C (68~99°F)
Temp. Dif.	0.5~10°C (1~10°F) , Factory setting $\pm 1^\circ\text{C}$
Ambient temperature	-5~50°C (23~99°F)
Protection level	IP20
Shell material	Anti-Flammable PC

Product Overview

This series of thermostat has Floor Heating, Fan Coil, and Integrated version, meeting the requirements under different scenarios.

Version	System mode	Model	Application
Floor heating	Floor heating	EP	Built-in & floor sensor, floor limit sensor + Weekly programming
		WP	ANC/NO dual-output + Weekly programming
		WPB	ANC/NO dual-output + Weekly programming+ Potential-free output
Fan Coil	Heating /Cooling / Ventilation	AC2	Timer task + 2-pipe system
		AC2-485	Timer task + 2-pipe system + 485Modbus (optional) + Potential-free output + Room card (optional)
		AC4	Timer task + 4-pipe system + 485Modbus (optional) + Potential-free output + Room card (optional)
Integrated	Heating / Cooling / Ventilation/Floor heating / Floor heating + Heating	AWY	Floor heating & fan coil, weekly programming + Potential-free output + Timer task + 485Modbus (optional) + Room card (optional)

Auto-mode Setting (Floor Heating/Integrated)

Press "M" for 3 seconds to edit auto-mode setting.

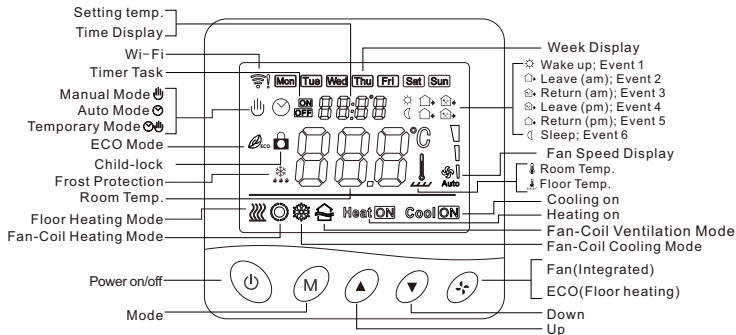
Events	Symbols	Time		Temperature		
		Default value	Modify	Default value	Modify	
Workdays	1	☀	06:00	Press "▲" or "▼"	20°C (68°F)	Press "▲" or "▼"
	2	🏠	08:00		15°C (59°F)	
	3	🏠	11:30		15°C (59°F)	
	4	🏠	12:30		15°C (59°F)	
	5	🏠	17:00		22°C (72°F)	
	6	🌙	22:00		15°C (59°F)	
Weekends	1	☀	06:00	20°C (68°F)		
	2	🌙	20:00	20°C (68°F)		

Advanced Setting (Usually for Professional Technicians)

Under power-off, press "M" for 3 seconds to enter advanced setting mode, then re-press "M" to switch to next mode. Press "U" to save and exit advanced setting mode.

Code	Meaning	"▲" or "▼"	Default Value	Integrated			Fan Coil			Floor Heating		
				AWY	AC2-485	AC4	AC2	EP	WP	WPB		
00	Postal address (optional)	Adjustment range 0x00~0xFA	00	✓	✓	✓	✓	✓	✓	✓	✓	
01	Temp. calibration	-9.9~9.9°C (-9~9°F)	-3°C	✓	✓	✓	✓	✓	✓	✓		
02	Temp. Dif.	0.5~10°C (1~10°F)	$\pm 1^\circ\text{C}$	✓	✓	✓	✓	✓	✓	✓		
03	Temp. upper limit	5~95°C (41~99°F)	50°C	✓	✓	✓	✓	✓	✓	✓		
04	Temp. lower limit	5~47°C (41~99°F)	5°C	✓	✓	✓	✓	✓	✓	✓		
05	Frost protection	ON: frost protection on OFF: frost protection off	OFF	✓	✓	✓	✓	✓	✓	✓		
06	Temperature unit	°C/°F	°C	✓	✓	✓	✓	✓	✓	✓		
07	Sensor selection	IN: Controlled by built-in sensor OUT: Limited by floor sensor ALL: Controlled by built-in sensor and limited by floor sensor	IN	✓	✗	✗	✗	✓	✓	✓		
08	Floor limited Value	20~90°C (68~99°F)	35°C	✓	✗	✗	✗	✓	✓	✓		
09	Weekly programming setting	12345: 5/2 week mode 123456: 6/1 week mode 1234567: 7/0 week mode	12345	✓	✗	✗	✗	✓	✓	✓		
10	Fan control settings	00: Fan speed controllable 01: Fan speed uncontrollable	00	✓	✓	✓	✓	✗	✗	✗		
11	Delay time of outputs	0~5min	0	✓	✗	✗	✗	✓	✓	✓		
12	Child-lock	00: Child-lock inactivate when screen off; lock all when child-lock activate 01: Child-lock activate when screen off; lock all when child-lock activate 02: Child-lock activate when screen off; lock all except Fan Speed, Up and Down when child-lock activate 03: Child-lock activate when screen off; lock all except Power on/off when child-lock activate	00	✓	✓	✓	✓	✓	✓	✓		
13	Boot Status	00: Power OFF 01: Power ON 02: The last status before power loss	02	✓	✓	✓	✓	✓	✓	✓		
14	Room card status	00: turn off room card function 01: set to ECO temp. after pulling room card out 02: stay power-off after pulling room card out	00	✓	✓	✗	✗	✗	✗	✗		
15	Room card heating ECO temp.	10~21°C (50~69°F)	18°C	✓	✓	✗	✗	✗	✗	✗		
16	Room card cooling ECO temp.	22~32°C (72~89°F)	26°C	✓	✓	✗	✗	✗	✗	✗		
17	Fan coil mode setting	00: Cooling and heating 01: Cooling only	00	✓	✓	✓	✓	✗	✗	✗		
18	Weekly programming for Integrated	00: turn on 01: turn off	01	✓	✗	✗	✗	✗	✗	✗		
19	Reset	Press "▲" for 3 seconds to reset	/	✓	✓	✓	✓	✓	✓	✓		

Display Symbols



Temperature Control Mode(Floor Heating/Integrated)

Manual Mode

Thermostat works based on manually-set temperature, disconnecting from auto mode.

Auto Mode

Weekly-circled programme, up to 6 heating events can be set per day. Heating events, workdays and temperature can be separately customized based on personal routines.

Temporary Mode

Thermostat works based on manually-set temperature temporarily and then shifts back to auto mode till next event.

User Operation

Power on/off: Press "U" shortly to turn on/off the thermostat.

Auto-mode: Press "M" for 3 seconds to edit auto-mode settings. (Floor Heating/Integrated)

Timer task: Press "T" for 3 seconds to edit timer task. (Integrated)

Time setting: Press "S" for 3 seconds to set time. (Floor Heating)
Press "S" twice for 3 seconds to set time. (Automatic time synch for Wi-Fi version)

Temp setting: Press "▲" or "▼" shortly to change setting temperature by 0.5°C.

Child-lock: Press "▲" + "▼" for 3 seconds to activate child-lock.

System mode: Press "M" shortly to switch cooling/heating/ventilation (Fan Coil/Integrated)
Press "M" shortly to switch cooling/heating/ventilation/floor heating/floor heating + heating. (Integrated)

Temp control mode: Press "M" shortly to switch manual/auto mode. (Floor heating)

Press "T" shortly to switch manual/auto mode. (Integrated, floor heating)

Fan speed setting: Press "F" shortly to adjust fan speed.(Integrated)

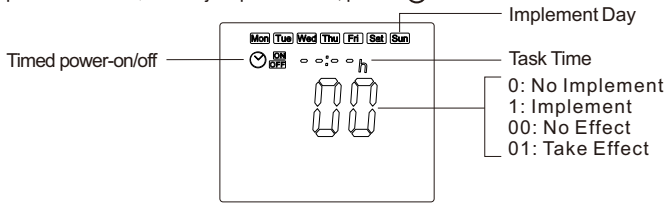
ECO mode: Press "E" shortly to set to ECO mode 18°C(65°F). (Floor heating)

Sensor failure

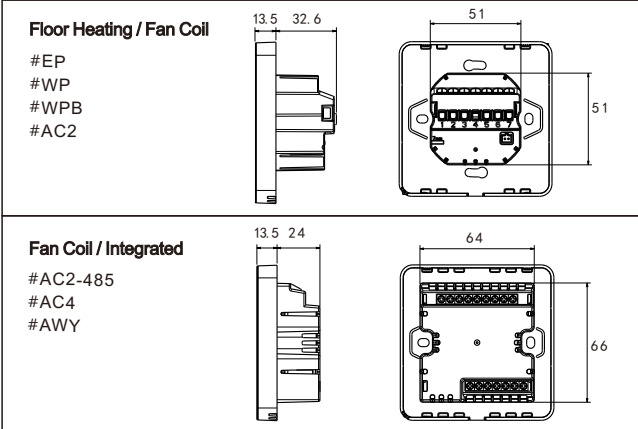
Please select work mode of sensors correctly. When it shows **Er0/Er1** error, thermostat will stay power-off till the error is eliminated. **Er0**: built-in sensor is short-circuited or disconnected. **Er1**: floor sensor is short-circuited or disconnected.

Timer Task Setting (Fan Coil / Integrated)

Press “**⏸**” for 3 seconds to enter timer task setting; press “**M**” to change settings; press “**▲**” or “**▼**” to adjust parameters; press “**⏻**” to save and exit.



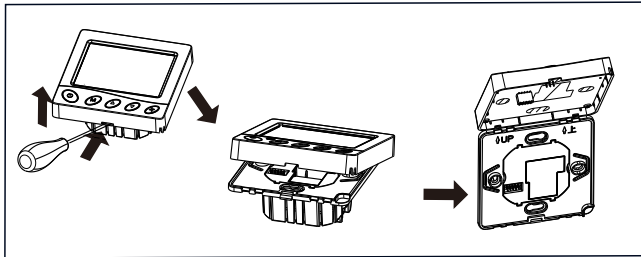
Dimensions (Unit: mm)



Mounting Steps

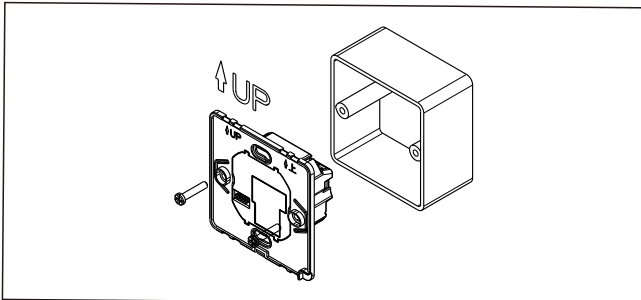
The thermostat adopt pre-guide and limited snap-fit design. It is easy to mount.

1) Release front cover by inserting a head screw-driver into bottom crack.

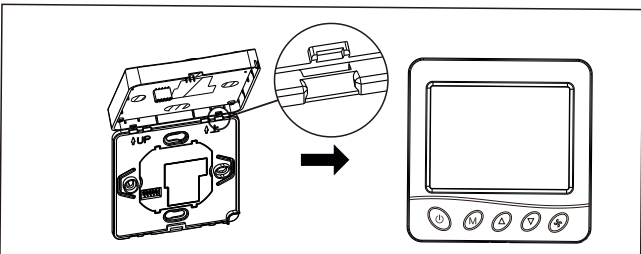


2) Insert the wires and then fix these wires with screws. Suggested wire-stripping length is 7-9mm.

3) Mount backing plate into wall-cassette, put screws and then fix thermostat. Make sure that the thermostat is fixed without deformation. Suggested torque is 0.2~0.4N.m (2.0~4. 1kgf.cm).

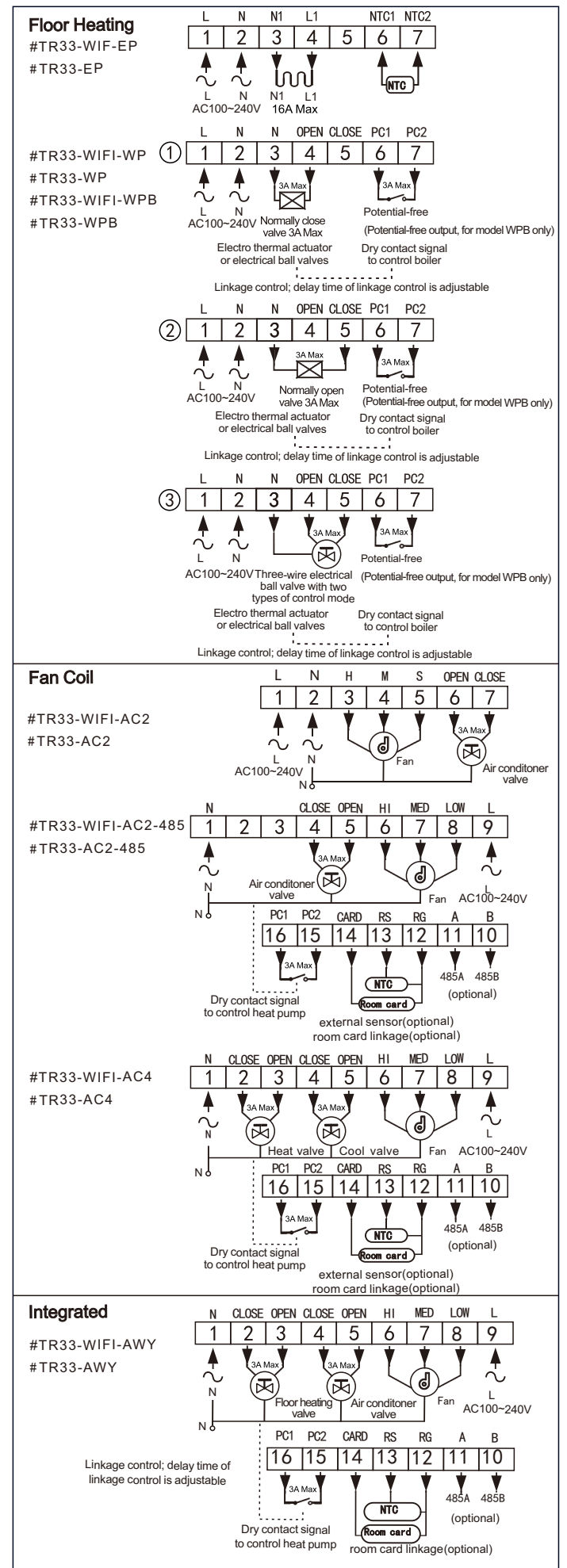


4) Re-mount the front cover via snap-fit connection.



Connecting Diagram

The thermostat operates in full capacity in areas with the altitude of less than 2500 above sea level. Power rating of external load should be less than or equal to 80% rated power of the thermostat in areas with altitude of 2500m to 4200m.



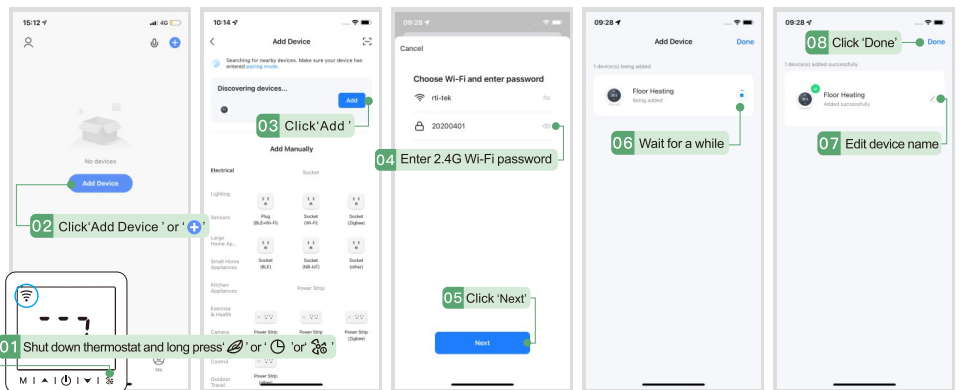
User Guide for Smart Life



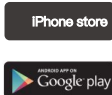
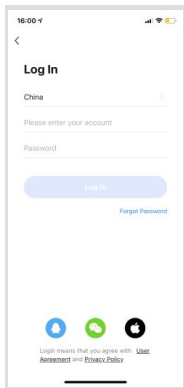
Version: 1.1(07.2022)
71.04.00062

2 Bluetooth Mode

*Please turn on the Bluetooth of your phone in advance.



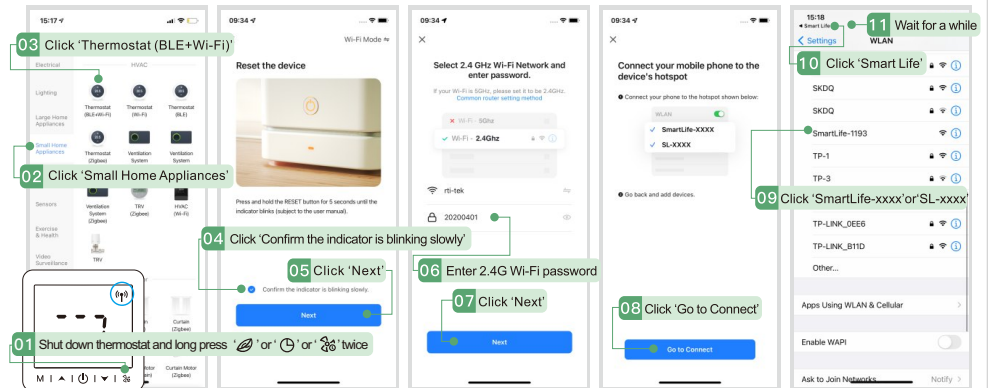
1 Sign Up & Log in



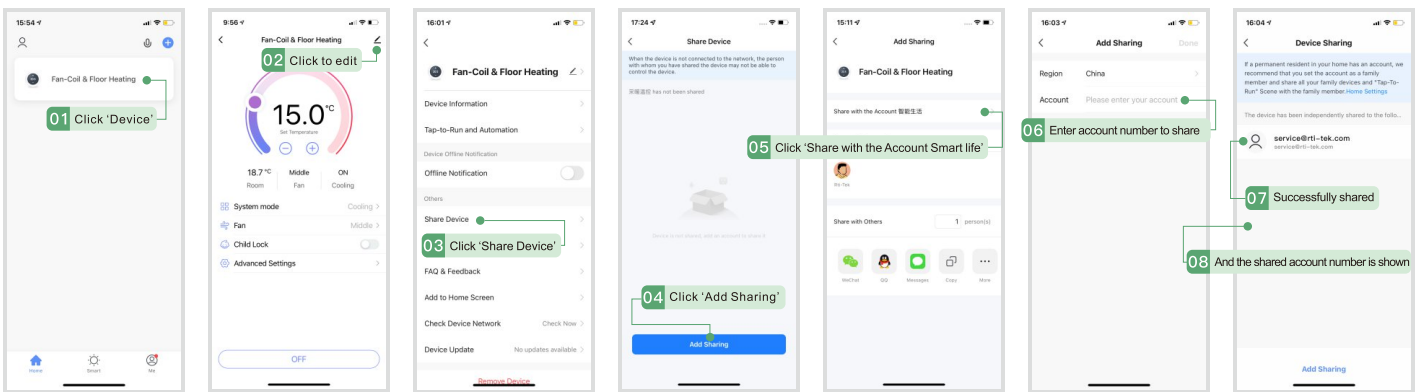
① Scan the QR code above, or search "Smart Life" in Apple APP Store and Google Play, to download Smart Life app.

② Sign up or log in directly if you have an account.

3 AP Mode



4 Device sharing



5 App control interface

